

TRENDY 971



ready-to-run



1946-2016
70 years

IMO

medical beds worldwide



CORPORATE PROFILE

- COMPANY **IMO-Indústrias Metalúrgicas, S.A.**
- HEAD-QUARTERS **Longra, Felgueiras, Portugal**
- VAT No. **500.136.939**
- FOUNDATION YEAR **1946**
- EMPLOYEES **112**
- SHARE CAPITAL **2,5 M€**
- TURN-OVER (2015) **5,7 M€**
- INSTALLED PRODUCTS **46 países**
- INDUSTRIAL FACILITIES **8.400 m2 área coberta**
- PRODUCTION CAPABILITIES
 - Research and development**
 - Prototyping and tools**
 - Molds Engineering**
 - Laboratory quality control**
 - Electronics**
 - Metalworking**
 - Plastics**
 - Woodwork**
 - Upholstery**
 - 2 assembly lines**
 - Logistics and distribution**

FEATURES



CONTROL



- 01 Hydraulic columns lifting system.
- 02 Trendelenburg e Anti-Trende. positions actuated by a gas spring.
- 03 Back-rest articulation actuated by 2 gas springs..
- 04 OPTION - Manually articulated leg-rest by a mechanical rack.



ERGONOMY



- 05 Translucent mattress platform made in HPL Compact.
- 06 OPTION - X-ray cassette holder.
- 07 Adjustable and removable I.V. rod with storage support.
- 08 DLUX MODEL OPTION - monitor tray, footend decorative board and clinical files holder.



SAFETY



- 09 Full lenght collapsible side-rails.
- 10 Corners equipped with bumper disks.
- 11 Lateral protective fenders PVC coated.
- 12 Epoxy coating metallic finish resistant to sanitary disinfection.



MOBILITY



- 13 ABS shielded Ø200 mm casters.
- 14 Central locking system.
- 15 OPTION - Fifth wheel.
- 16 ABS cover base with storage room and O2 bottles compartments.

TRENDY 971

ready-to-run





CONTROL



01 COLUMNS ELEVATION



COLUMNS ELEVATION SYSTEM
Lifting system by 2 hydraulic columns with bilateral pedals control.

02 TRENDELENBURG

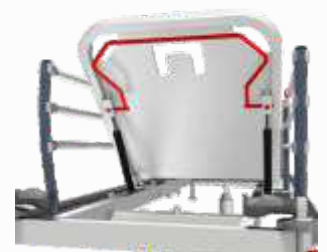


TRENDELENBURG
Trendelenburg and Anti-Trendelenburg positions by 2 hydraulic columns with bilateral pedals control.

03 TWO SECTIONS PLATFORM



BACK-REST ARTICULATION
Articulated back-rest section by 2 gas springs with 300N capacity with activation rim.



04 FOUR SECTIONS PLATFORM



4 SECTIONS ARTICULATIONS
Articulated back-rest section by 2 gas springs with 300N capacity with activation rim.
Manually leg-rest articulation by a multipoint mechanical rack.



ERGONOMY



05 HPL COMPACT PLATFORM



RADIO TRANSLUCENT PLATFORM
HPL Compact mattress platform with radio translucent capabilities.

2 or 4 sections platform option.

06 X-RAY CASSETTE HOLDER OPTION



X-RAY CASSETTE HOLDER

As an extra option stretcher platform may include an x-ray cassette holder featured to sliding along the mattress platform for bilateral knobs.

It is extractable by the headside to cassette exchange and it has a graduated ruler to adjust on several cassette sizes.

07 INTRAVENOUS ROD



INCLUDED I.V. ROD

The TRENDY stretcher it includes an I.V. rod bilaterally fitting and with a room to pack up under back-rest section.

The column is made of epoxy painted steel tube and the rod is stainless steel, height adjustable and 2 hanging hooks.

08 DLUX TYPE OPTION



DLUX OPTION

Footboard equipped as an extra option with:

- Foldable monitor tray made in polyethylene.
- HPL Compact footboard customizable color.
- Clinic files tray made in epoxy coated steel sheet.



SAFETY



09 CLEANING ENDURANT



CLEANING ENDURANT
The metal frame finished by electrostatic epoxy painting with previous anti-corrosion treatment allows a product suitable for cleaning and hospital disinfecting with alcohol based detergents and moisturized cloth with tepid water.

10 INCLUDED SIDE-RAILS



THE SIDE-RAILS
The stretcher includes a side-rail pair made in epoxy painted steel tube and ABS plastic shoulder extension. Collapsible, with safety lock and grip to handling.

11 LATERAL FENDERS



LATERAL FENDERS
TRENDY stretcher sides are equipped by lateral metal fenders soft PVC coated to protect against side impacts.

12 BUMPER WHEELS



BUMPER WHEELS
The stretcher corners are protected by soft PVC bumper wheels and protected by ABS shields.



MOBILITY



13 Ø200MM CASTERS



Ø200MM CASTERS

High quality Ø200mm casters made by Tente German company. Swivel effect, provided with ball bearings and ABS shielded.

14 CENTRAL LOCKING SYSTEM



CENTRAL LOCKING

Is provided by 4 brake pedals, one in each bed's corner, with central effect and the following functions:

- Free course;
- Total locking;
- Steering lock.

15 FIFTH WHEEL OPTION



5.TH WHEEL OPTION

The fifth wheel system significantly improves the bed's maneuverability in narrow spaces.

The control is released by bilateral pedal.

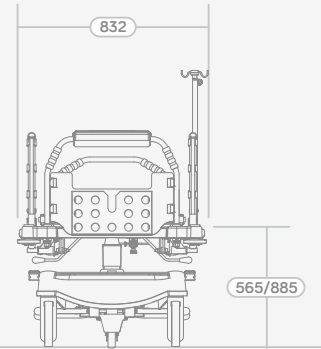
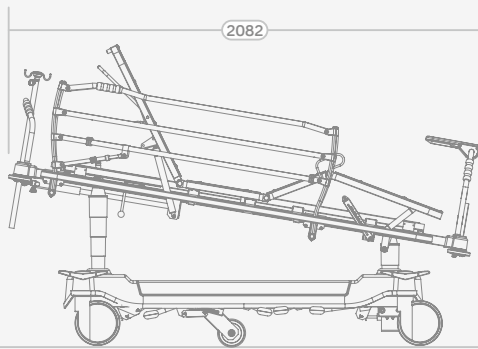
16 ABS COVER BASE



ABS COVER BASE

Moulded ABS cover to protect base mechanisms and to facilitate the cleaning tasks.

It has storage compartments to patient's personal belongs and 2 rooms for oxygen tanks.



DIMENSIONS (±5%)

Mattress platform	1900 x 650 mm
External dimensions	2082 x 832 mm
Platform sections length	
Back-rest	678 mm
Pelvis	390 mm
Leg-rest	300 mm
Foot-rest	532 mm
Minimum/Maximum height	565 / 885 mm
Elevation stroke	320 mm

ARTICULATIONS (±5%)

Back-rest maximum angle	75°
Leg-rest maximum angle	40°
Foot-rest maximum angle	30°
Cardiac Chair max. angle	90°
Maximum tilting	
Trendelenburg	15°
Anti-Trendelenburg	15°

CAPABILITIES (±5%)

Patient maximum load	350 Kg
Overall bed weight	124 Kg
Elevation Hidraulic Power	4500 N x 2
Back-rest gas lift power	300 N x 2

CONFORMITÉ ET ENREGISTREMENT

Enregistrement officiel comme des Dispositifs Médicaux Classe I et marcation CE.
 Selon la directive 2007/47/EE de la Union Européenne, annexe IX.
 Est un produit contrôlé par le système de gestion de la qualité EN ISO 9001:2008.

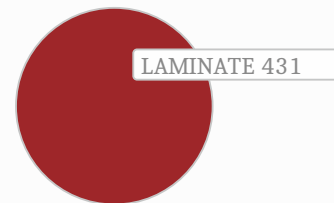
Indicative colors only, check with real samples.



LAMINATE M302



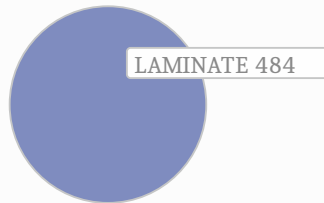
LAMINATE 861



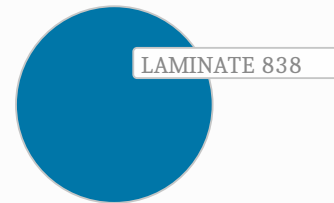
LAMINATE 431



LAMINATE 454



LAMINATE 484



LAMINATE 838

IMO-INDUSTRIAS METALURGICAS, S.A.
www.imo.com.pt

IMO PORTO
 Rua Adolfo Casais Monteiro, 117
 4050-520 Porto
 Tel.: 222 009 767
 Fax: 222 000 647
porto@imo.com.pt

HEADQUARTERS & FACTORY
 Rua Dr. Aurélio Teixeira de Sousa, 575
 4650-312 Rande
 PORTUGAL
 T. +351 255 340 220
 F. +351 255 340 239
sede@imo.com.pt

IMO LISBOA
 Av. Defensores de Chaves, 87-A
 1000-115 Lisboa
 Tel.: 217 963 478
 Fax: 217 975 822
lisboa@imo.com.pt

AUTHORISED DISTRIBUTOR: